



Hydronic pre-heaters

BINAR-5S

BINAR-5S (diesel)

BINAR-5S-24 (diesel)

Catalogue of parts and assemblies

АДВР.200.00.00.000 КДС

April 2016

| | | |
|--|--|---|
| <p style="text-align: center;">Sales Autoterm LLC Trikatas street 4, Riga, Latvia, LV-1026 +371 20110229 E-mail: sales@autoterm-europe.com www.autoterm-europe.com</p> | <p style="text-align: center;">ADVERS LLC Russia, 443068, Samara, ul. Novo-Sadovaya 106 +7(846)263-07-97 www.autoterm.ru</p> | <p style="text-align: center;">Service Autoterm LLC Trikatas street 4, Riga, Latvia, LV-1026 +371 25529999 E-mail: service@autoterm-europe.com</p> |
|--|--|---|

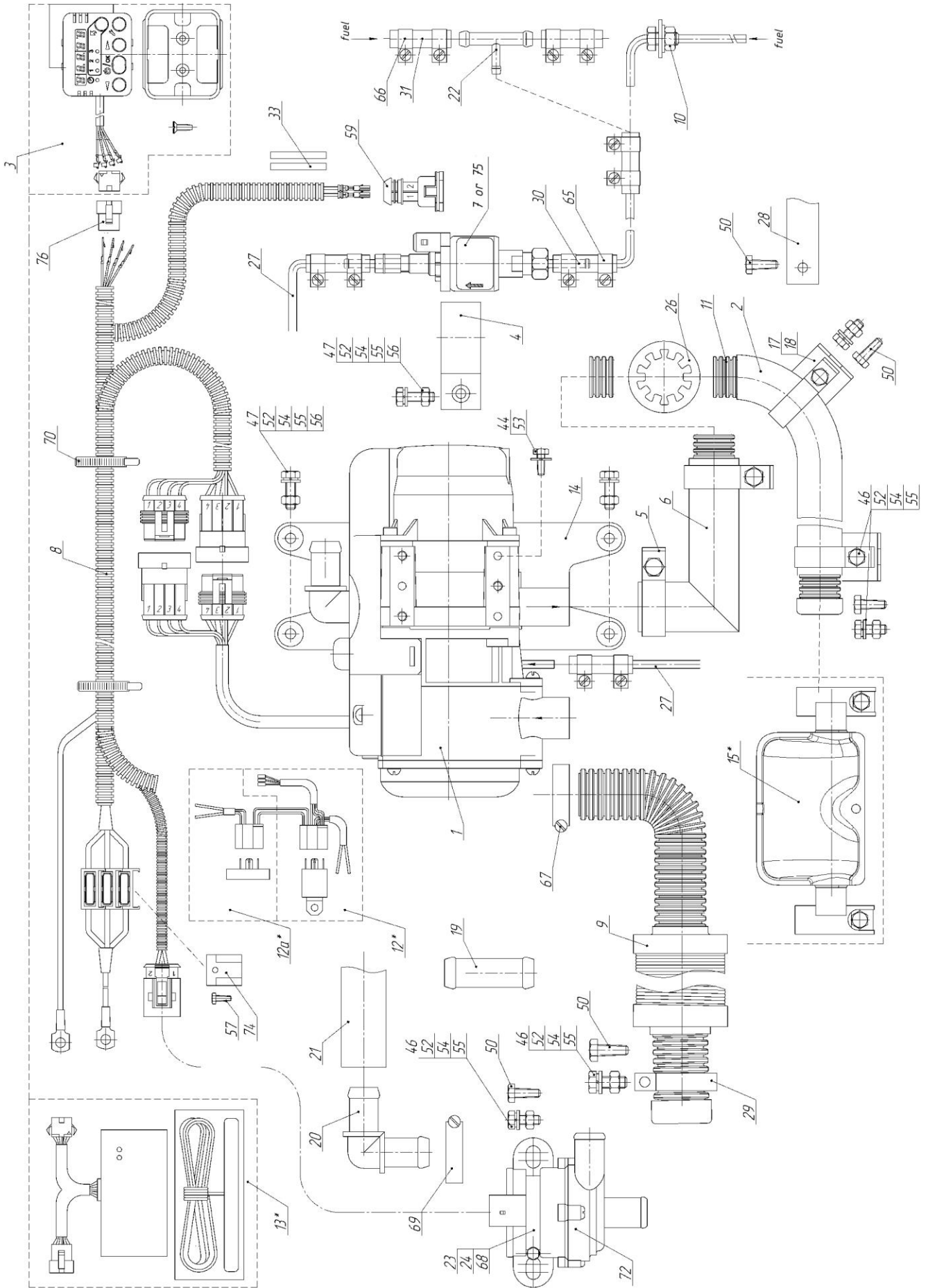
This part-and-assembly catalogue is intended for companies and individuals involved in installing, repairing, and maintaining BINAR-5S hydronic pre-heaters.

This catalogue consists of two sections:

1. A schematic drawing of the **pre-heater** (figure 1) and a list of the pre-heater's parts and assemblies (table 1)
2. A schematic drawing of the **heater** (figure 2) and a list of the heater's parts and assemblies (table 2)

If a part or assembly fails during use, look up its designation in this catalogue to order a replacement from the manufacturer.

IMPORTANT For ease of ordering, use the manufacturer's product numbers listed in the tables below.



*Optional

Figure 1. Components of type 5–7 pre-heaters

Table 1

| Item no. | Designation | Manufacturer's number | Part or assembly | Quantity | Notes |
|----------|-----------------------|-----------------------|--------------------------------|----------|----------------|
| 1 | АДВР.200.01.00.000 | Assy.3106 | Heater (diesel) | 1 | 24 V |
| | АДВР.200.01.00.000-01 | Assy.3131 | Heater (diesel) | | 12 V |
| | АДВР.200.01.00.000-02 | Assy.3186 | Heater (petrol) | | 12 V |
| 2 | АДВР.010.12.00.000-01 | Assy.162 | Thermal insulation | 1 | |
| 3 | АДВР.195.00.00.000 | Assy.3165 | PU-20-24B control panel | 1 | |
| | АДВР.195.00.00.000-01 | Assy.3170 | PU-20-12B control panel | | |
| 4 | АДВР.048.12.00.000 | Assy.1467 | Clamp | 1 | |
| 5 | АДВР.051.03.00.000 | Assy.2649 | Clamp | 2 | |
| 6 | АДВР.051.04.00.000 | Assy.2944 | Elbow | 1 | |
| 7 | АДВР.150.00.00.000 | Assy.2187 | TH8-4.0ml-12V fuel pump | 1 | Petrol 12 V |
| | АДВР.150.00.00.000-01 | Assy.2214 | TH8-4,4ml-12V fuel pump | | Diesel 12 V |
| | АДВР.150.00.00.000-04 | Assy.2838 | TH8-4,4ml-24V fuel pump | | Diesel 24 V |
| 8 | АДВР.200.02.00.000 | Assy.3241 | Harness | 1 | |
| 9 | АДВР.048.06.00.000 | Assy.1125 | Air intake and silencer | 1 | |
| 10 | АДВР.128.00.00.000 | Assy.2063 | Fuel intake | 1 | |
| 11 | АДВР.051.08.00.000 | Assy.2708 | Exhaust pipe | 1 | |
| 12* | АДВР.206.00.00.000 | Assy.3260 | Switch set | 1 | 24 V |
| | АДВР.206.00.00.000-01 | Assy.3265 | | | 12 V |
| 12a* | АДВР.206.01.00.000 | Assy.3545 | PWM switch set | 1 | |
| 13* | АДВР.199.00.00.000 | Assy.3280 | GSM-SIMCOM modem | 1 | |
| 14 | АДВР.200.03.00.000 | Assy.3219 | Bracket and shock absorber | 1 | |
| 15* | АДВР.115.00.00.000 | Assy.3535 | Silencer (installation kit) | 1 | |
| | | | | | |
| 17 | 04ТС.451.00.00.00.002 | P.2 | Bracket | 2 | |
| 18 | АДВР.051.00.00.001 | P.2247 | Clamp | 2 | |
| 19 | 04ТС.451.00.00.00.005 | P.94 | Nipple (18×18) | 2 | |
| 20 | АДВР.200.00.00.003 | P.3490 | Elbow (90°) | 2 | |
| 21 | АДВР.200.00.00.004 | P.3485 | Rubber hose, L = 2000 mm | 1 | |
| 22 | 04ТС.451.00.00.00.010 | P.143 | Tee | 1 | |
| 23 | АДВР.102.00.00.002 | P.2354 | Pump bracket | 1 | |
| 24 | АДВР.048.00.00.010 | P.1524 | Shock absorber | 1 | |
| | | | | | |
| 26* | АДВР.200.00.00.006 | P.3636 | Ø24 mm passage | 1 | |
| 27 | АДВР.200.00.00.007 | P.1244 | Fuel supply line, L = 6000 mm | 1 | |
| 28 | АДВР.048.00.00.007 | P.1337 | Strip | 3 | |
| 29 | АДВР.010.00.00.010 | P.845 | Clamp | 1 | |
| 30 | АДВР.010.00.00.003-01 | P.887 | Coupling, L = 55 mm | 4 | |
| 31 | АДВР.010.00.00.004 | P.881 | Coupling, L = 50 mm | 2 | |
| 33 | АДВР.098.32.00.002 | P.2555 | Insulator (heat-shrink tubing) | 2 | |
| | | | | | |
| | | | | | |

| | | | | |
|----|--|--|----|--------------|
| 44 | | M5×12 bolt | 3 | |
| 46 | | M6×16 bolt | 7 | |
| 47 | | M6×25 bolt | 5 | |
| 50 | | 6.4×16 screw | 7 | Self-tapping |
| 52 | | M6 nut | 12 | |
| 53 | | Ø5 washer | 3 | Lock washer |
| 54 | | Ø6 washer | 12 | Lock washer |
| 55 | | Ø6 washer | 12 | |
| 56 | | Ø6 washer (extended) | 1 | |
| 57 | | 2.9×13 screw | 1 | Self-tapping |
| 59 | | AMP 0282762-2 pin connector | 1 | |
| | | | | |
| 65 | | Mikalor Mini 10/9 clamp | 8 | |
| 66 | | 10×16 Mikalor clamp | 4 | (tee) |
| 67 | | 25×40 Mikalor clamp | 1 | |
| 68 | | 40×60 Mikalor clamp | 1 | |
| 69 | | MU 25/12 spring clamp | 12 | |
| 70 | | 200×3.6 plastic clamp | 40 | |
| 72 | | BOSCH PAD 12V motor and pump | 1 | 12 V |
| | | П6.24B motor and pump | | 24 V |
| 74 | | MTA 0300352 fuse block holder | 1 | |
| 75 | | Thomas Magnete dosing pump, P327, 12 V | 1 | |
| 76 | | 2601CH-05 pin connector | 1 | |
| | | | | |
| | | | | |
| | | | | |
| | | | | |
| | | | | |

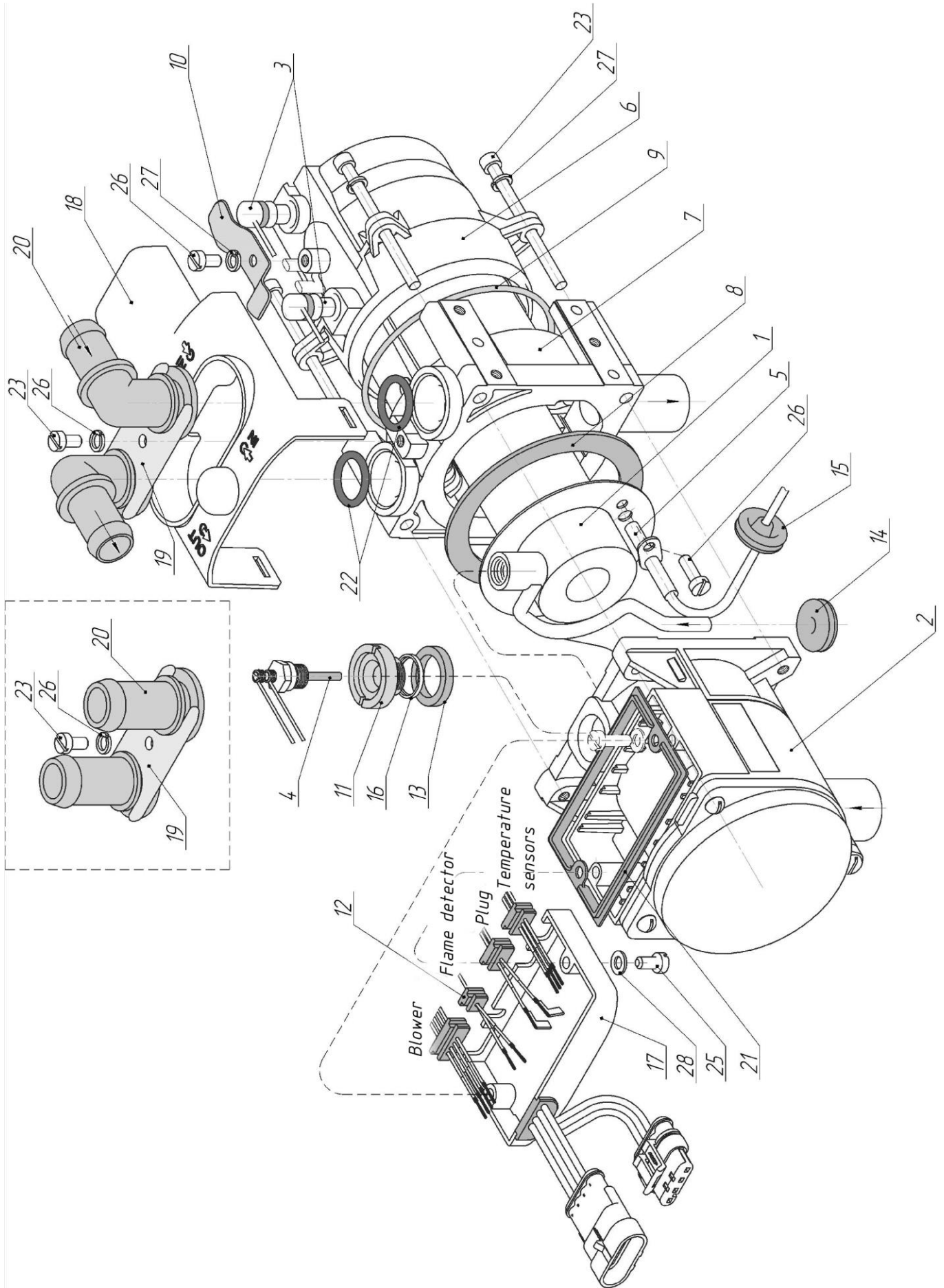


Figure 2. Schematic drawing of the heater

Table 2

| Item no. | Designation | Manufacturer's number | Part or assembly | Quantity | Notes |
|----------|--------------------------|-----------------------|-------------------------|----------|--------------|
| 1 | АДВР.200.01.02.000 | Assy.3109 | Combustion chamber | 1 | Diesel |
| | АДВР.200.01.02.000-01 | Assy.3134 | | | Petrol |
| | АДВР.200.01.02.200 | Assy.3129 | Glow plug screen | 1 | |
| 2 | АДВР.200.01.03.000 | Assy.3110 | Air blower | 1 | 24 V |
| | АДВР.200.01.03.000-01 | Assy.3135 | | | 12 V |
| 3 | АДВР.200.01.04.000 | Assy.3111 | Sensor assembly | 1 | |
| 4 | АДВР.200.01.05.000 | Assy.3112 | Plug (for 24 V version) | 1 | 18 V |
| | АДВР.200.01.05.000-01 | Assy.3136 | Plug (for 12 V version) | | 9 V |
| 5 | АДВР.200.01.06.000 | Assy.3113 | Flame detector | 1 | |
| 6 | АДВР.200.01.01.001 | P.3230 | Housing | 1 | |
| 7 | АДВР.200.01.01.002 | P.3231 | Heat exchanger | 1 | |
| 8 | АДВР.200.01.01.003 | P.3232 | Gasket | 1 | |
| 9 | АДВР.200.01.01.004-01 | P.3233 | Ø78 mm ring | 1 | |
| 10 | АДВР.200.01.01.005 | P.3234 | Sensor holddown | 1 | |
| 11 | АДВР.200.01.01.006 | P.3235 | Plug bushing | 1 | |
| 12 | АДВР.200.01.01.007 | P.3329 | Sealing | 1 | |
| 13 | АДВР.010.01.01.010 | P.859 | Bushing | 1 | |
| 14 | 10ТС.451.01.00.00.010 | P.21 | Sealing | 1 | |
| 15 | АДВР.025.00.00.008 | P.2065 | Sealing | 1 | |
| 16 | АДВР.200.01.01.008 | P.3539 | Washer | 1 | |
| 17 | АДВР.200.04.00.000 | Assy.3108 | Control unit | 1 | 24 V diesel |
| | АДВР.200.04.00.000-01 | Assy.3133 | | | 12 V diesel |
| | АДВР.200.04.00.000-02 | Assy.3188 | | | 12 V petrol |
| 18 | АДВР.200.01.00.001 | P.3223 | Sensor cover | 1 | |
| 19 | АДВР.200.01.00.003 | P.3225 | Holddown | 1 | |
| 20 | АДВР.200.01.00.002 | P.3224 | Elbow nipple | 2 | |
| | АДВР.200.01.00.002-01 | P.3492 | Nipple | | |
| 21 | АДВР.200.01.00.005 | P.3227 | Sealing | 1 | |
| 22 | 10ТС.451.01.00.00.012-03 | P.64 | Ø17.5 mm ring | 1 | |
| 23 | | | M5×70 screw | 4 | |
| 24 | | | M5×16 screw | 1 | |
| 25 | | | M4.8×25 screw | 2 | Self-tapping |
| 26 | | | M5×10 screw | 2 | |
| 27 | | | Ø5 washer | 9 | Lock washer |
| 28 | | | Ø5 washer | 2 | Plain washer |
| | | | | | |
| | | | | | |

